

# SEA CZ, a.s.

Servisní energetická agentura

Finální

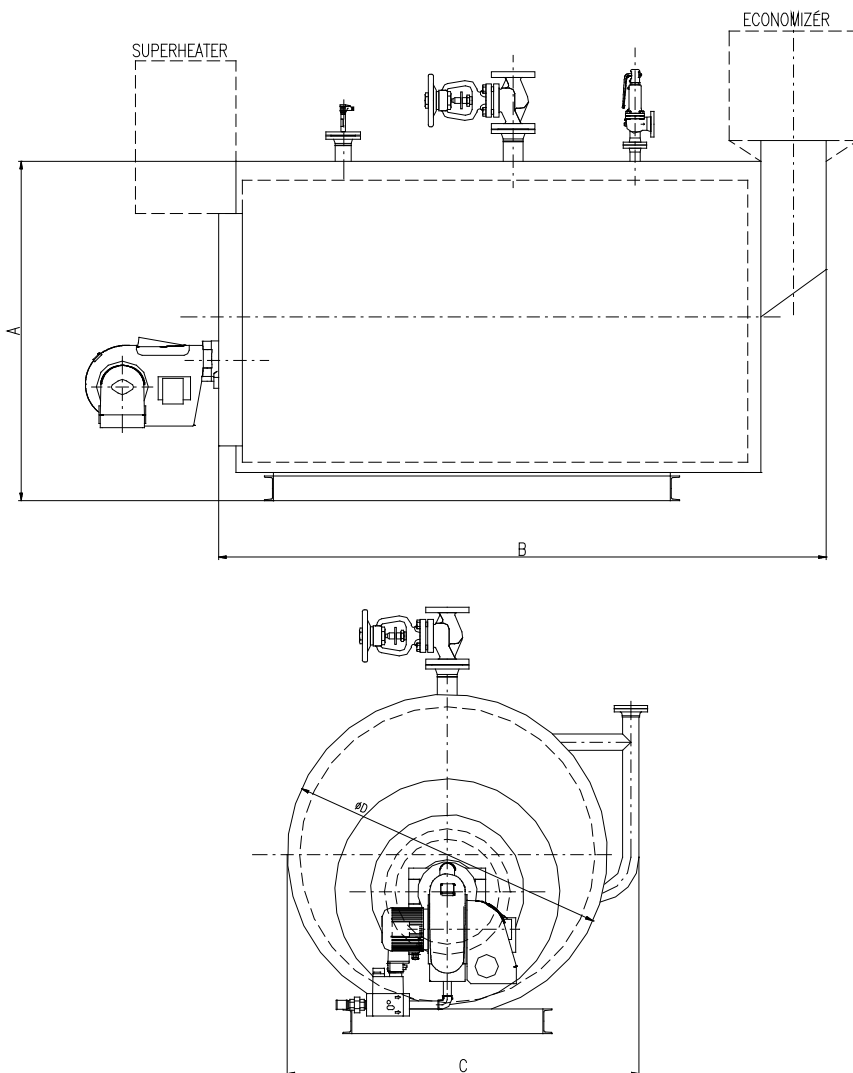
dodávky

kotelen



KL 1

## MEDIUM-PRESSURE STEAM BOILERS type SKO



Boilers are delivered in the version with saturated and superheated steam, or alternatively hot water.

Boilers are designed as fire-tube ones with a flue, internal flue-gas chamber and two draughts of fire tubes.

Boilers are fully equipped and delivered together with all the necessary equipment.

Text continues on the following page.  
Schema is just informative.

SEA CZ, a.s. zapsána v OR u Krajského obchodního soudu v Brně, oddíl B, vložka 3214

Výpusta 400, 760 01 Zlín

tel. 577 220 351-4

fax 577 220 357

e-mail: seacz-zl@seacz.cz

KB Zlín, č.ú. 27-1922340217/0100

IČO 25588664

www.seacz.cz

DIČ 303-25588664

Tyršova 469, 280 00 Kolín 2

tel. 321 729 249

fax 321 722 809

e-mail: seacz-kol@seacz.cz

KB Kolín, č.ú. 27-4397410267/0100

### Basic parameters of boilers:

Boiler Type	Steam output (kilo/hour)	Boiler output (kW)	A (mm)	B (mm)	C (mm)	D (mm)
0,5	500	320	1800	2800	1850	1600
1	1000	650	2000	3300	1900	1700
1,5	1500	980	2100	3600	2000	1800
2	2000	1300	2100	4800	2000	1800
2,5	2500	1650	2200	5300	2100	1900
3	3000	2000	2400	5400	2300	2100
4	4000	2600	2600	5500	2500	2200
6	6000	3900	3050	6600	3000	2600
8	8000	5200	3200	7500	3100	2800

Nominal steam pressure up to 1,6 MPa, nominal temperature of superheated steam up to 280 °C

Other boiler capacities - 10,12,16,20,25 t/h upon request.

Other parameters of steam pressure and temperature upon request.

We equip boilers with an unmanned operation system (Catalogue p. 23, 24), new and overhauled burners (Catalogue p.22), instrumentation and systems (Catalogue p.25), economisers (Catalogue p.27), etc.