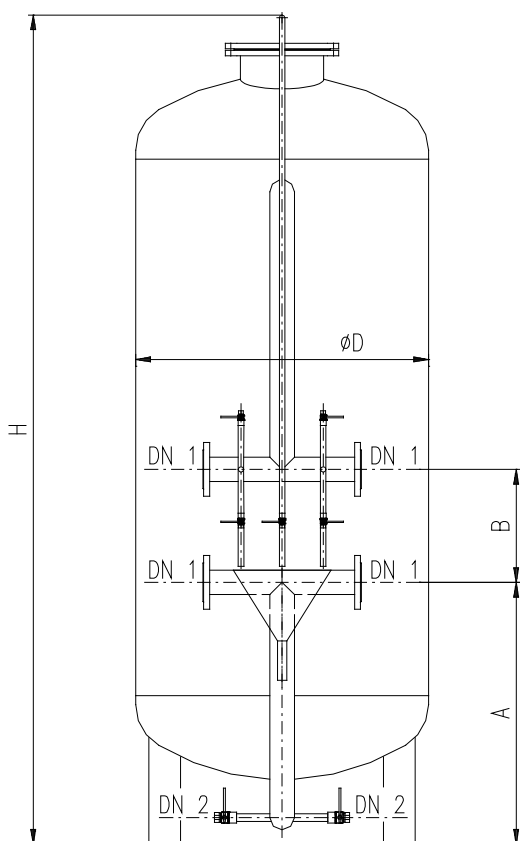


KL 13

## SAND FILTERS type SPF

pressure series PN6, 10, 16



Model range	H (mm)	A (mm)	B (m)	ØD (mm)
400	2500	900	350	400
600	2700	950	400	600
800	2780	880	470	800
1000	3480	830	520	1000
1400	3830	890	610	1400
2000	4150	750	750	2000
3000	4960	640	860	3000

Material of filters: 11375; 11416; 17240; 17248 (another material upon customer's request)  
 Filters are used for a water filtration and are equipped with all the necessary connections for their proper functioning. Equipping the filter with a valve upon customer's request – shutting-down claps, ball valves, slide valves etc.

The tank is equipped with one jet bottom with jets made of plastic or stainless steel. Stainless steel jets (KL no. 21) are mainly used for a filtration of media with high temperatures (e.g. condensates), where standard, plastic jets cannot be used. Dimensions of jets are determined based on the manner of the filter utilisation

SEA CZ, a.s. zapsána v OR u Krajského obchodního soudu v Brně, oddíl B, vložka 3214

Výpusta 400, 760 01 Zlín  
 tel. 577 220 351-4  
 fax 577 220 357  
 e-mail: seacz-zl@seacz.cz  
 KB Zlín, č.ú. 27-1922340217/0100

IČO 25588664

www.seacz.cz

DIČ 303-25588664

Tyršova 469, 280 00 Kolín 2  
 tel. 321 729 249  
 fax 321 722 809  
 e-mail: seacz-kol@seacz.cz  
 KB Kolín, č.ú. 27-4397410267/0100