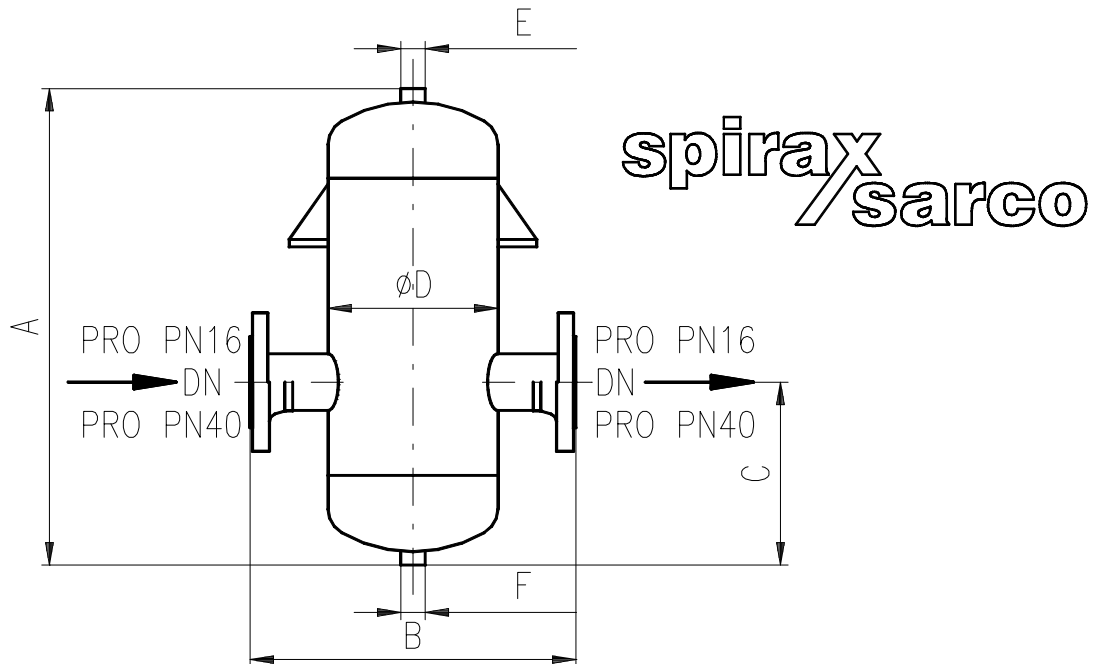




KL 19

MOISTURE SEPARATOR SPIRAX - SARCO pressure series PN16 a PN40



Model range DN	A	B	C	D	E	F
65	638	420	245	219	3/4"	1"
80	735	523	300	273	3/4"	2"
100	795	574	316	324	3/4"	2"
125	843	656	309	377	3/4"	2"
150	935	706	341	426	3/4"	2"
200	1200	850	460	530	1"	2"
250	1580	950	615	600	1"	2"
300	1733	1110	662	600	1"	2"
350	1972	1280	753	700	1"	2"

We produce and deliver separators solely for Spirax-Sarco Praha, separators can be only bought at **Spirax Sarco LTd.**, V Korytech – the goods station, 100 00 Prague 10 Strašnice
phone: +420 - 274 810 222, www.spiraxsarco.com

Separators are used for a separation of water from saturated or overheated steam. Special separating unit assures ultra-high separation efficiency.

Materials: 11375, 11416, 12021, 17240, 17248.