

SEA CZ, a.s.

Servisní energetická agentura

Finální

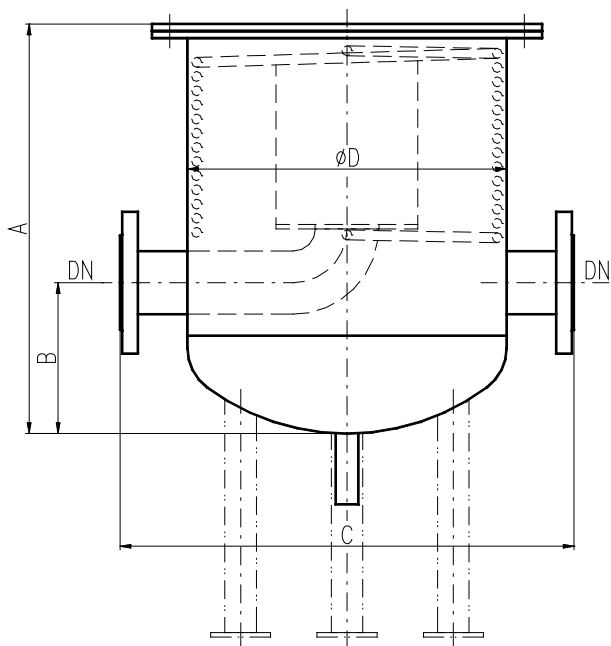
dodávky

kotelen



KL 31

HEATED OIL FILTERS type SVO



Model range	DN	A (mm)	B (mm)	C (mm)	ØD (mm)
40	40	280	60	320	159
50	50	360	80	380	219
80	80	580	170	550	377
100	100	720	200	600	426
150	150	980	350	680	500

Blowdown lengthening piece
 Heating steam inlet
 Maximum pressure of heating steam

G1"
 DN 10
 1,5 MPa

Filters are used for a filtering of heating oils, or another liquid through a stainless steel sieve. After disassembly of the upper lid the sieve can be easily removed and cleaned. The filter is equipped with a heating coil to heat the filtered medium. The filter is a zero-pressure vessel which is connected to the piping. If necessary, the filter can be equipped with supports or hinges. Material of filters: 11375; 11416; 17240; 17248 (another material upon customer's request). Dimensions, number and location of connections on the filter are determined according to specific requirements.

SEA CZ, a.s. zapsána v OR u Krajského obchodního soudu v Brně, oddíl B, vložka 3214

Výpusta 400, 760 01 Zlín
 tel. 577 220 351-4
 fax 577 220 357
 e-mail: seacz-zl@seacz.cz
 KB Zlín, č.ú. 27-1922340217/0100

IČO 25588664

www.seacz.cz

DIČ 303-25588664

Tyršova 469, 280 00 Kolín 2
 tel. 321 729 249
 fax 321 722 809
 e-mail: seacz-kol@seacz.cz
 KB Kolín, č.ú. 27-4397410267/0100