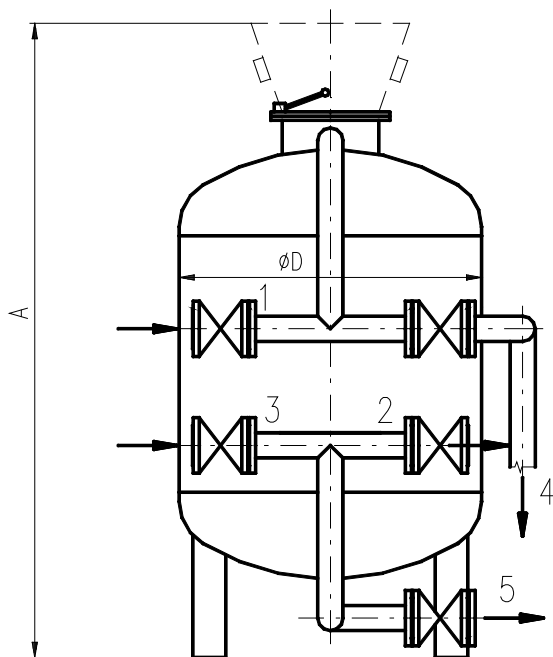


KL 33

SALT SOLUTION PRESSURE TANKS
type SNS
pressure series PN6



Model range	ØD (mm)	A (mm)	DN 1	DN 2	DN 3	DN 4	DN 5
400	400	1490	25	25	25	25	25
600	600	1690	40	40	40	40	25
800	800	1715	50	50	50	50	25
1000	1000	1765	50	50	50	50	25
1400	1400	2150	80	80	80	80	40

- 1 Water inlet
- 2 Salt solution outlet
- 3 Washing water inlet
- 4 Washing water outlet
- 5 Discharge

Material of tanks: 11375; 11416; 17240; 17248 (another material upon customer's request)
 Solution tanks are used for a preparation of saturated salt solution for a regeneration of cation exchange resin in softening filters. The tank can be equipped with a valve upon customer's request– shutting-down claps, ball valves, slide valves, etc.
 The tank is equipped with a single jet bottom with plastic or stainless steel jets.
 Stainless steel jets (catalogue p.23) are mainly used for media with high temperatures (e.g. condensates), where standard plastic jets cannot be used.
 The upper bottom of the salt tank houses a quick-closing valve for salt filling.

Schema is just for information.