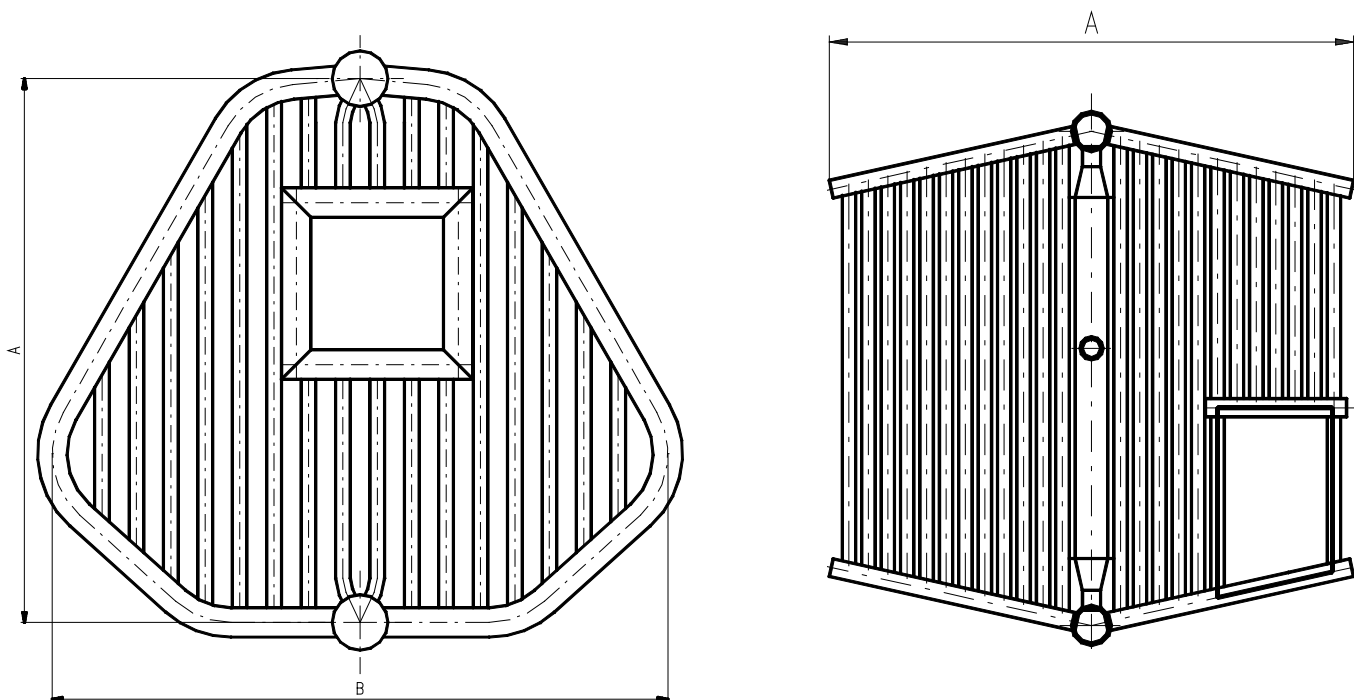


KL 6

REAR FLUE-GAS TURNING CHAMBER type SZK



External flue-gas turning chambers are delivered as a spare part for fire-tube boilers - type BK, BGT, Duro Dakovič and others.

Flue-gas turning chambers can be delivered separately or within a general overhaul of a boiler.

Material: materials of class 11, 12

To order a flue-gas turning chamber it is necessary to specify a type and production year of the boiler, for less common types of boilers also a technical drawing of the boiler or a flue-gas turning chamber.

In case of absence of documentation, we will prepare a new documentation and produce the flue-gas turning chamber based on this documentation.

Schema is just for information.

SEA CZ, a.s. zapsána v OR u Krajského obchodního soudu v Brně, oddíl B, vložka 3214

Výpusta 400, 760 01 Zlín

tel. 577 220 351-4

fax 577 220 357

e-mail: seacz-zl@seacz.cz

KB Zlín, č.ú. 27-1922340217/0100

IČO 25588664

www.seacz.cz

DIČ 303-25588664

Tyršova 469, 280 00 Kolín 2

tel. 321 729 249

fax 321 722 809

e-mail: seacz-kol@seacz.cz

KB Kolín, č.ú. 27-4397410267/0100